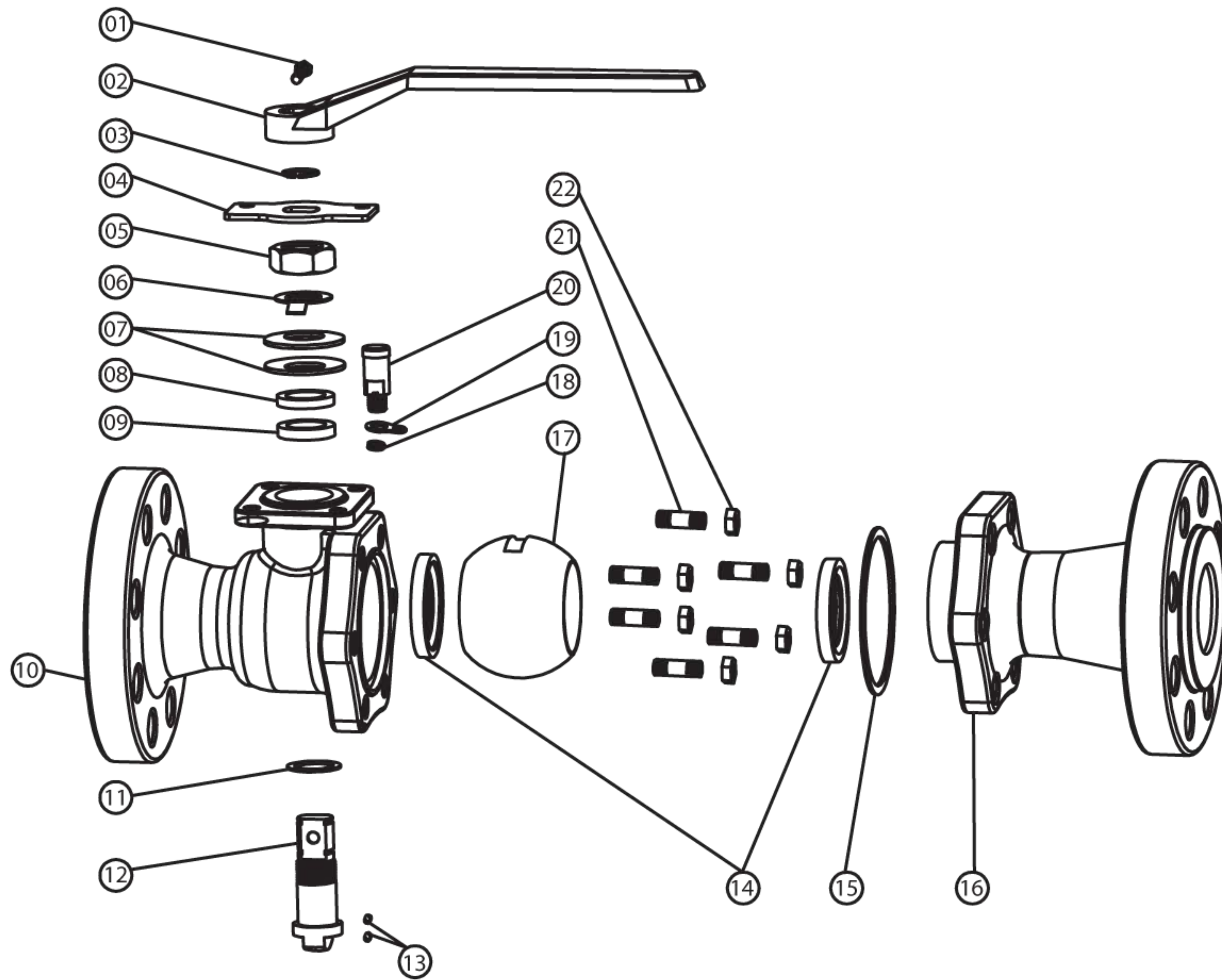


S Series Class 600 2-pc reduced port SS ball valve

SR-2F-600



Specification

- ❖ **Size range:** 2 ", 3 ", 4 " and 6 "
- ❖ **Rating:** Class 600
- ❖ **Construction:** Two-piece body, with floating ball design
- ❖ **Flow bore:** Reduced port

Product features

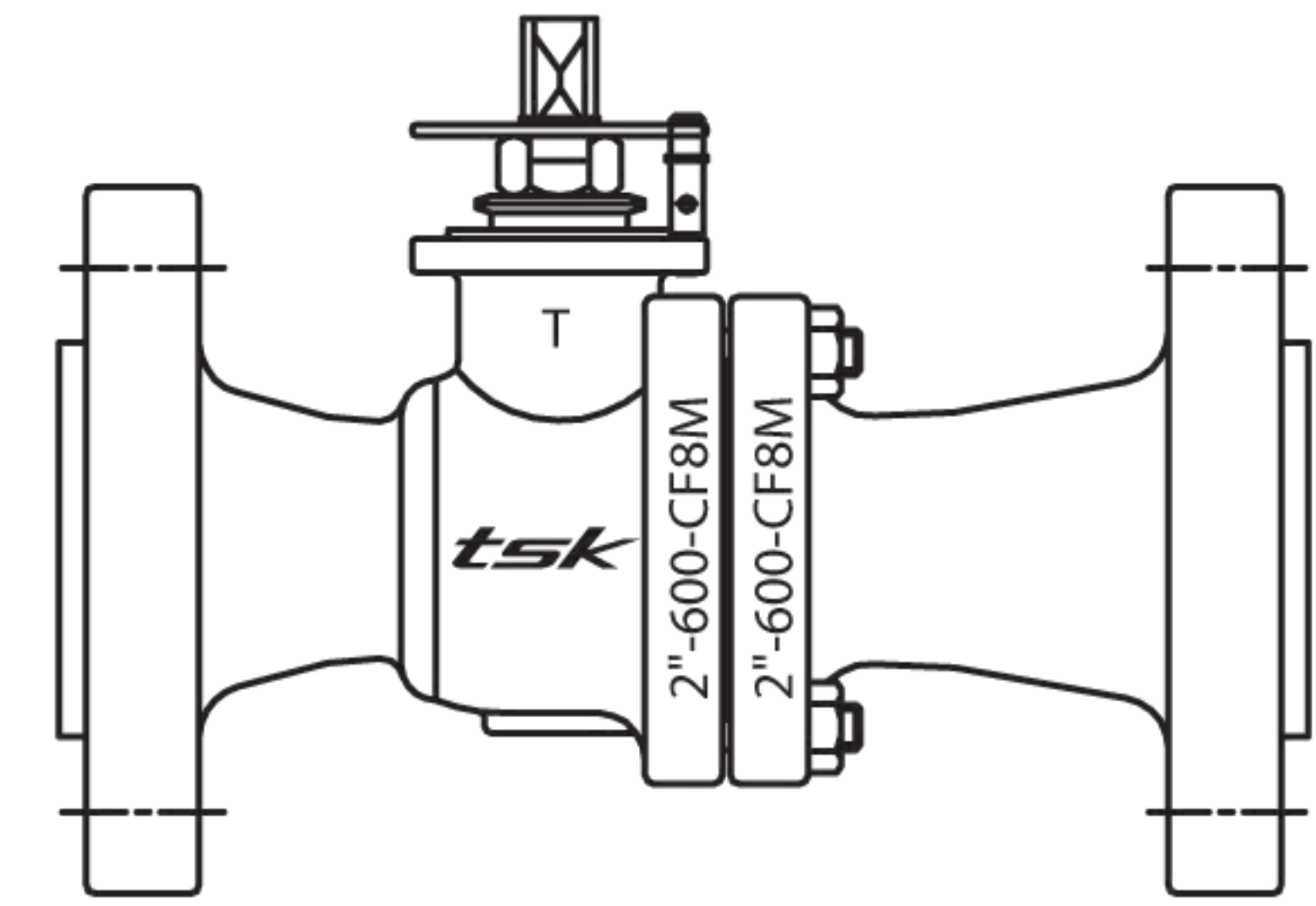
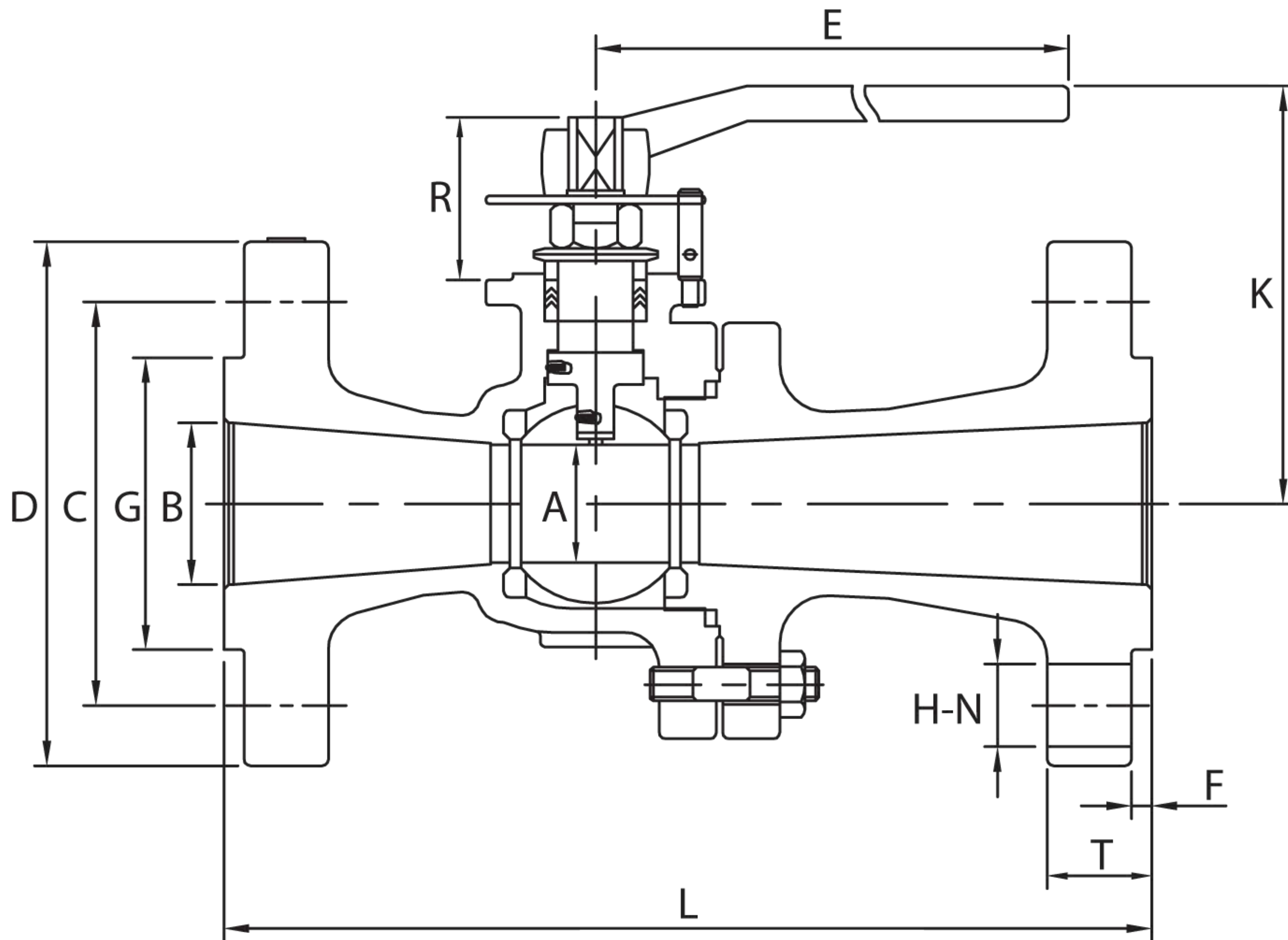
- ❖ Design conformed to ANSI B16.34
- ❖ Blowout-proof stem
- ❖ API 607 5th Edition fire-safe test approved
- ❖ Materials complied with NACE MR0175
- ❖ Mounting pad to actuator complied with ISO 5211
- ❖ Anti-static design

Material list

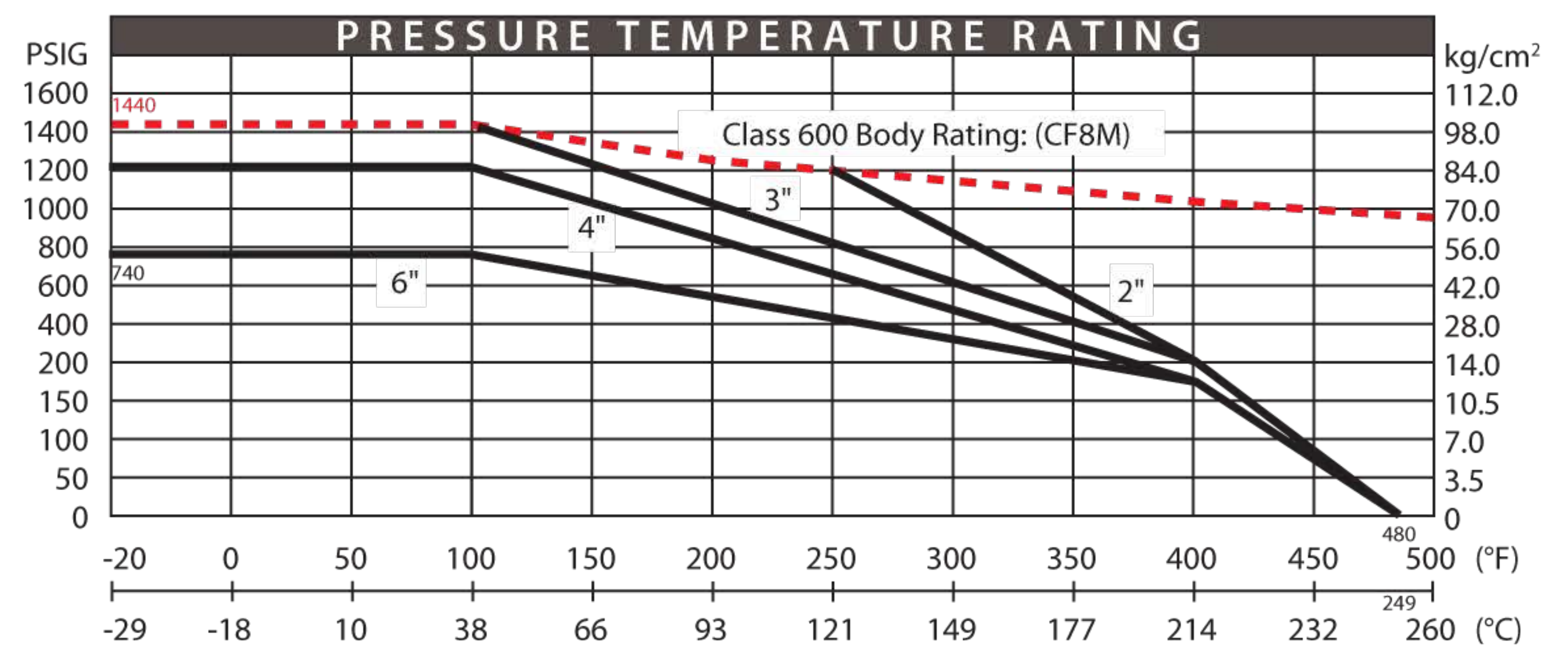
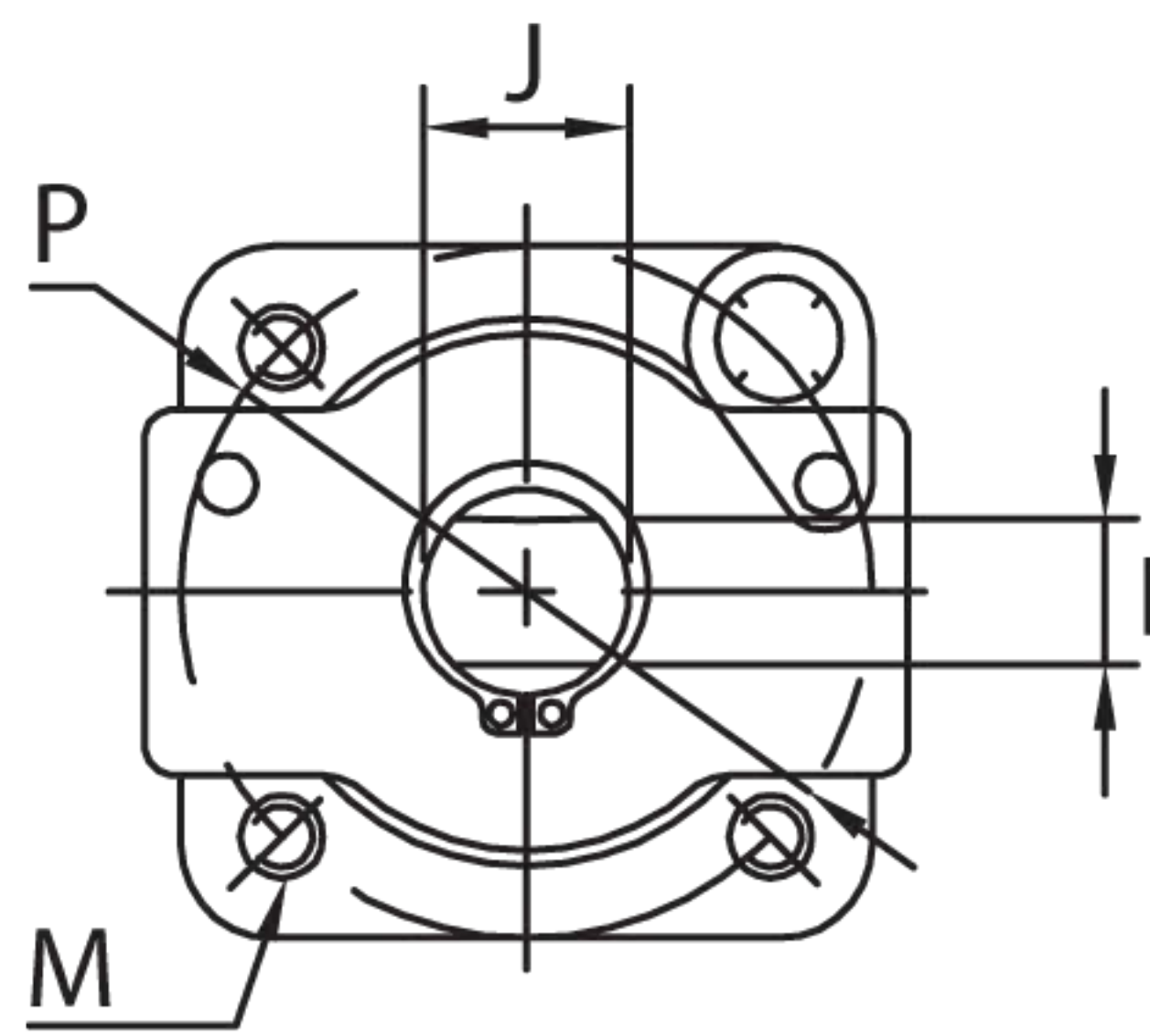
No.	Part name	Material	Qty	Remarks
1	Screw	Carbon steel plated	1	
2	Handle	Ductile iron	1	
3	Retaining ring	Carbon steel	1	
4	Stopper plate	Stainless steel 304 / A276	1	
5	Gland nut	Stainless steel 304 / A276	1	
6	Lock washer	Stainless steel 304 / A276	1	
7	Belleville washer	Stainless steel 301	2	
8	Gland	Stainless steel 304 / A276	1	
9	Packing	Graphite	1 set	Optional material: PTFE in non fire-safe model
10	Body	Stainless steel A351 Gr. CF8M	1	
11	Thrust washer	Reinforced Teflon 15% GFT	1	
12	Stem	Stainless steel 316 / A276	1	
13	Anti-static device	Stainless steel 304 / A276	2 sets	
14	Seat	PTFE + 25% Carbon	2	
15	Body seal	304 + Graphite	1	
16	Cap	Stainless steel A351 Gr. CF8M	1	
17	Ball	Stainless steel A351 Gr. CF8M	1	
18	Stem washer	Stainless steel 304 / A276	1	
19	Lock plate	Stainless steel 304 / A276	1	
20	Stopper pin	Stainless steel 304 / A276	1	
21	Stud bolt	A193 Gr. B8M	1 set	
22	Bolt nut	A194 Gr. 8MA	1 set	

**S Series Class 600
 2-pc reduced port
 SS ball valve**

SR-2F-600



BODY MARKING



DIMENSIONS

size (mm/in)	A	B	C	D	E	F	G	H	I	J	K	L	M	N	P	T	R	ISO 5211 flange
2"	38	50	127	165	350	6.35	92	19	14	20	144.5	292	5/8" UNC	8	70	31.8	49	F07
	1.50	1.97	5.00	6.50	13.78	0.25	3.62	0.75	0.55	0.79	5.69	11.50			2.76	1.25	1.93	
3"	58	76	168	210	350	6.35	127	22.3	17	25	180	356	5/8" UNC	8	70	38.1	59	F07
	2.28	3.00	6.61	8.27	13.78	0.25	5.00	0.88	0.67	0.98	7.09	14.02			2.76	1.5	2.32	
4"	76	102	216	273	460	6.35	157	25.4	17	25	194	432	5/8" UNC	8	70	44.5	59	F07
	3.00	4.02	8.50	10.75	18.11	0.25	6.18	1.00	0.67	0.98	7.64	17.00			2.76	1.75	2.32	
6"	114	152	292	356	750	6.35	216	28.5	23	34	256	559	1/2" UNC	12	125	54.1	73	F12
	4.49	5.98	11.50	14.02	29.53	0.25	8.50	1.12	0.91	1.34	10.08	22.00			4.92	2.13	2.87	