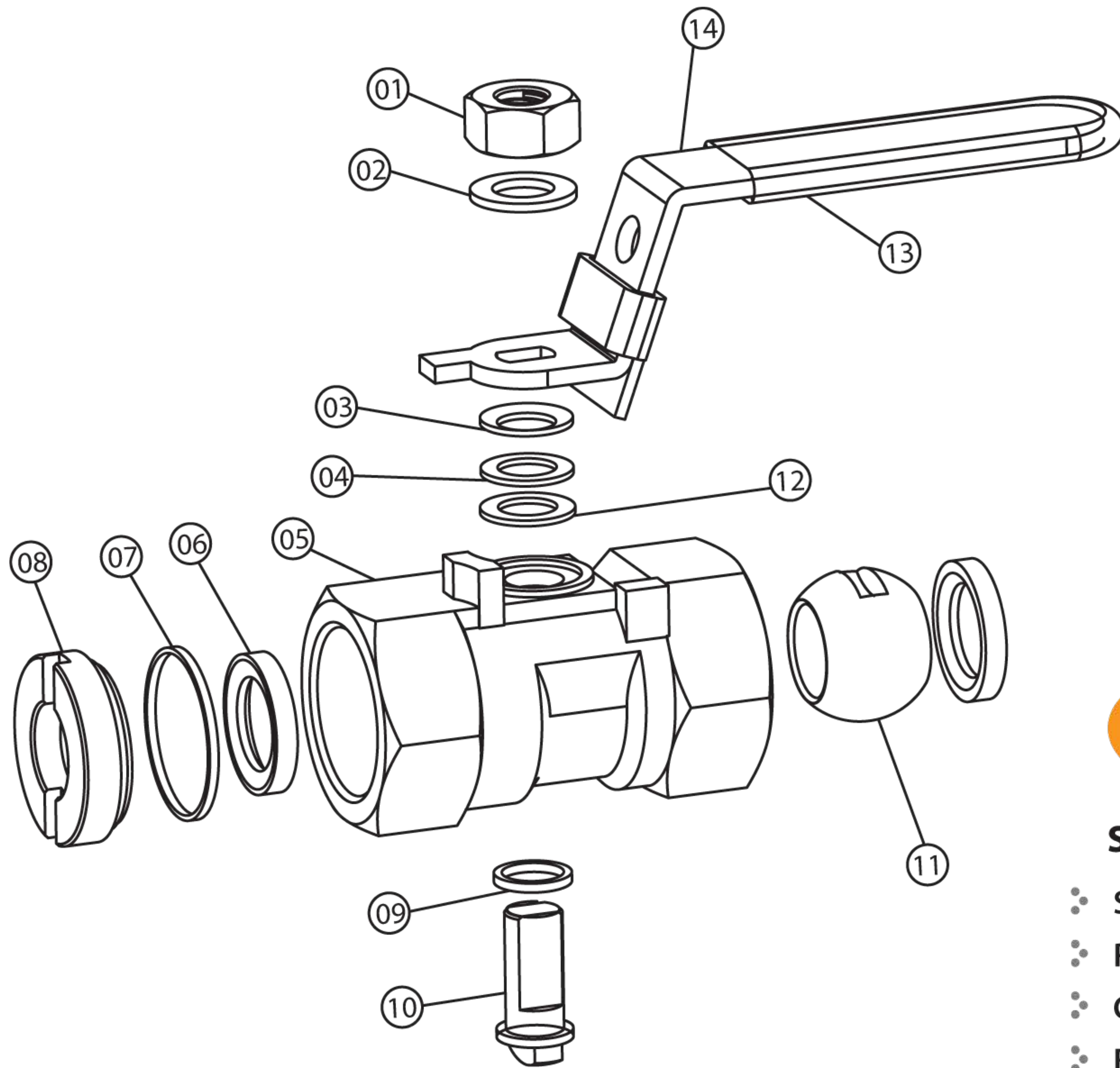


**S Series 1000 WOG
 1-pc reduced port
 SS ball valve**

SR-1T



Specification

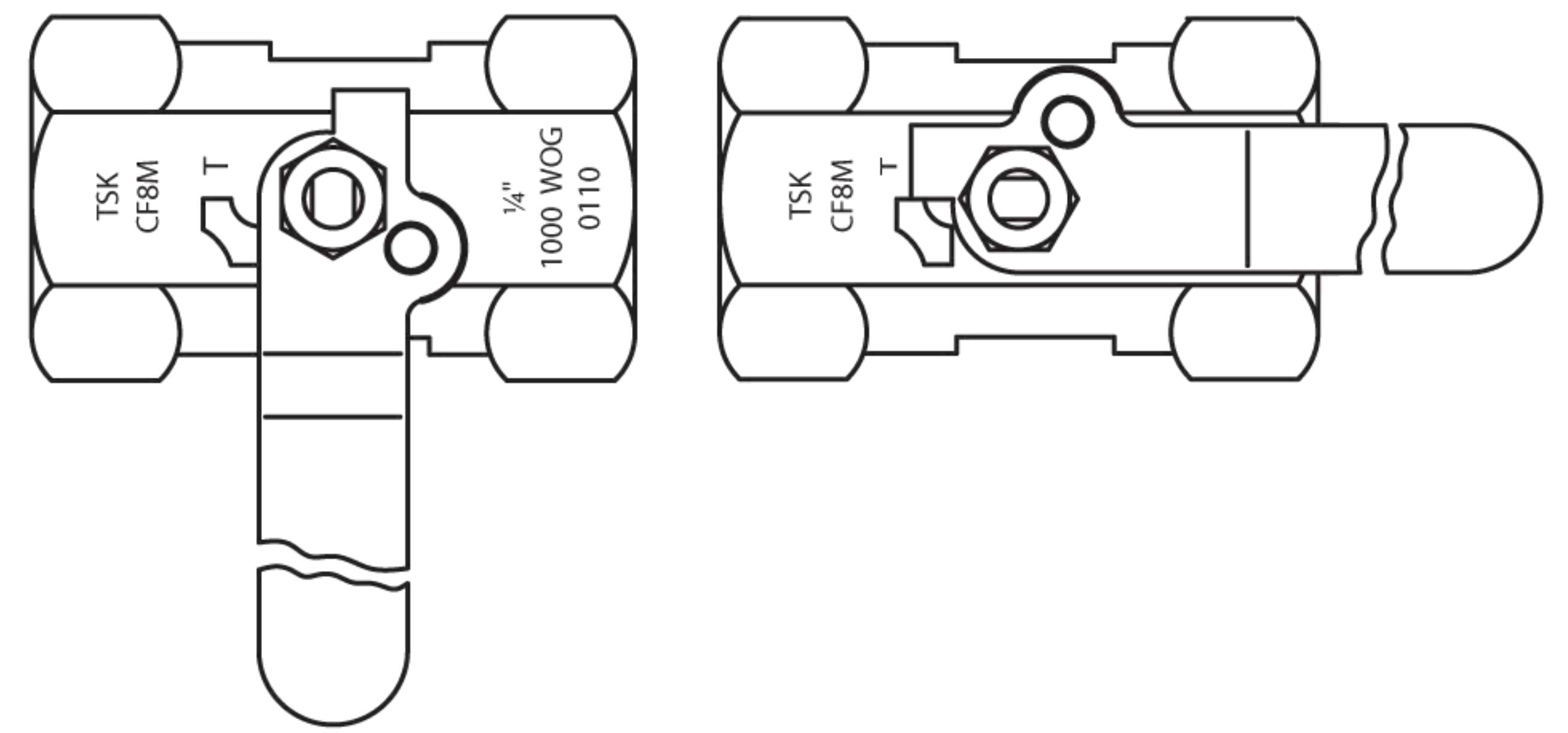
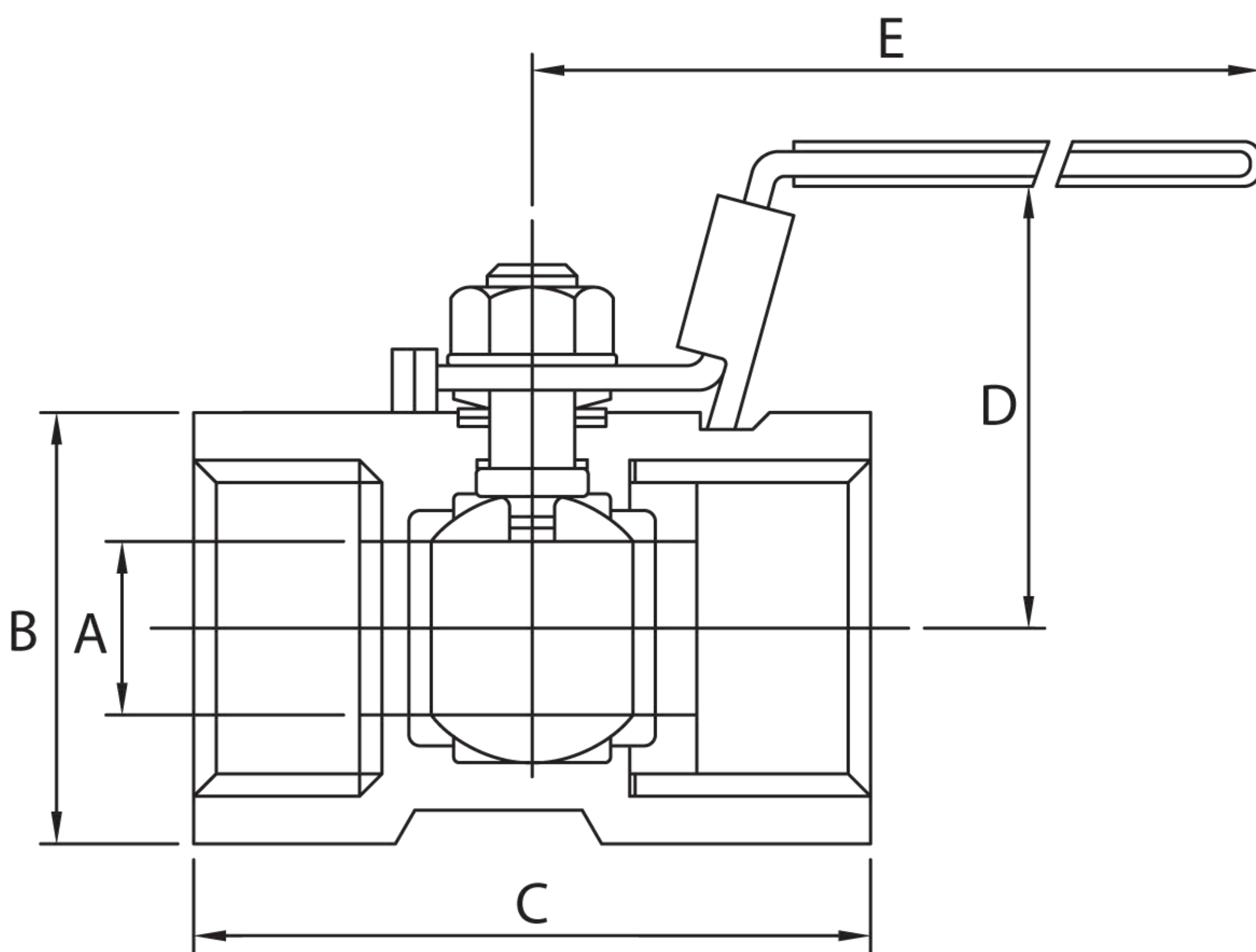
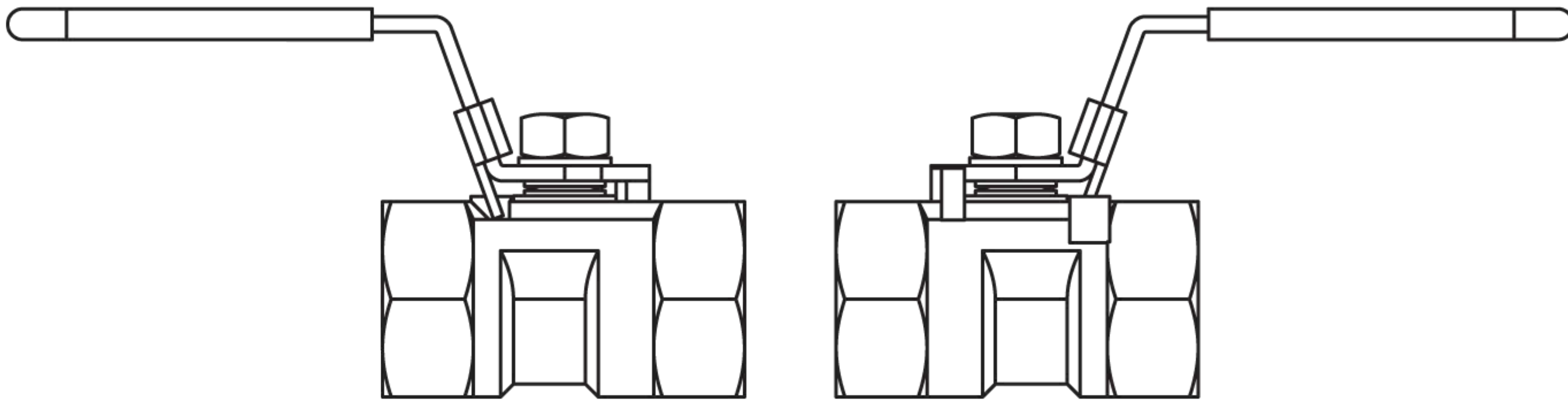
- **Size range:** 1/4"~2"
- **Rating:** 1000 psi WOG
- **Construction:** One-piece body, with floating ball design
- **Flow bore:** Reduced port

Material list

No.	Part name	Material	Qty	Remarks
1	Handle nut	Stainless steel 304 / A276	1	
2	Stem washer	Stainless steel 304 / A276	1	
3	Belleville washer	Stainless steel 301	1	
4	Spring washer	Stainless steel 304 / A276	1	
5	Body	Stainless steel A351 Gr. CF8M	1	
6	Seat	Reinforced Teflon 15% GFT	2	
7	Gasket	PTFE	1	
8	Seat retainer	Stainless steel A351 Gr. CF8M	1	
9	Thrust washer	Reinforced Teflon 15% GFT	1	
10	Stem	Stainless steel 316 / A276	1	
11	Ball	Stainless steel A351 Gr. CF8M	1	
12	Packing	PTFE	1	
13	Handle grip	Vinyl	1	
14	Handle	Stainless steel 304 / A276	1	

S Series 1000 WOG
1-pc reduced port
SS ball valve

SR-1T



Sizes 1/4" and 3/8" only

Product features

- ❖ NPT connection according to ANSI B1.20.1
- ❖ Blowout-proof stem
- ❖ Locking lever handle
- ❖ Oval handles available at request

DIMENSIONS								
size	8	10	15	20	25	32	40	50
mm/in	1/4	3/8	1/2	3/4	1	1 1/4	1 1/2	2
A	4.60	6.80	9.20	12.50	16.00	20.00	24.50	32.00
mm/in	0.181	0.268	0.362	0.492	0.630	0.787	0.965	1.260
B	17.00	21.50	26.00	32.00	38.00	49.00	52.50	66.00
mm/in	0.669	0.846	1.024	1.260	1.496	1.929	2.067	2.598
C	40.50	46.00	55.00	59.00	68.50	75.50	82.50	99.50
mm/in	1.594	1.811	2.165	2.323	2.697	2.972	3.248	3.917
D	34.00	35.50	43.00	48.50	60.00	61.50	70.50	83.00
mm/in	1.336	1.398	1.693	1.909	2.362	2.421	2.776	3.268
E	77.00	85.00	98.00	98.00	107.00	107.00	135.00	143.00
mm/in	3.031	3.346	3.858	3.858	4.212	4.212	5.315	5.630

