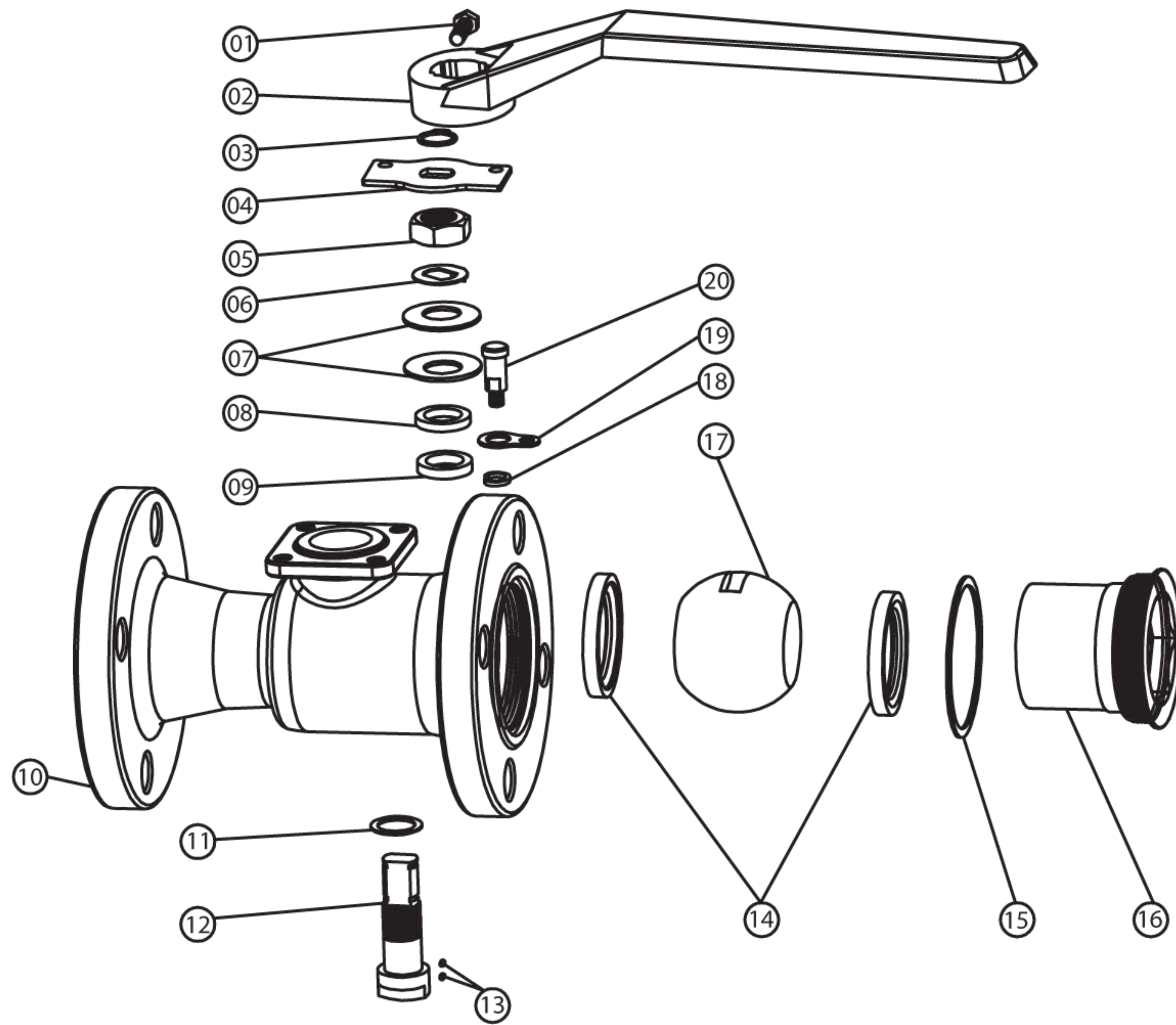


## S Series Class 150 1-pc reduced port SS ball valve

# SR-1F-150



### Specification

- ❖ Size range: 2", 3", 4" and 6"
- ❖ Rating: Class 150
- ❖ Construction: One-piece body, with floating ball design
- ❖ Flow bore: Reduced port

### Product features

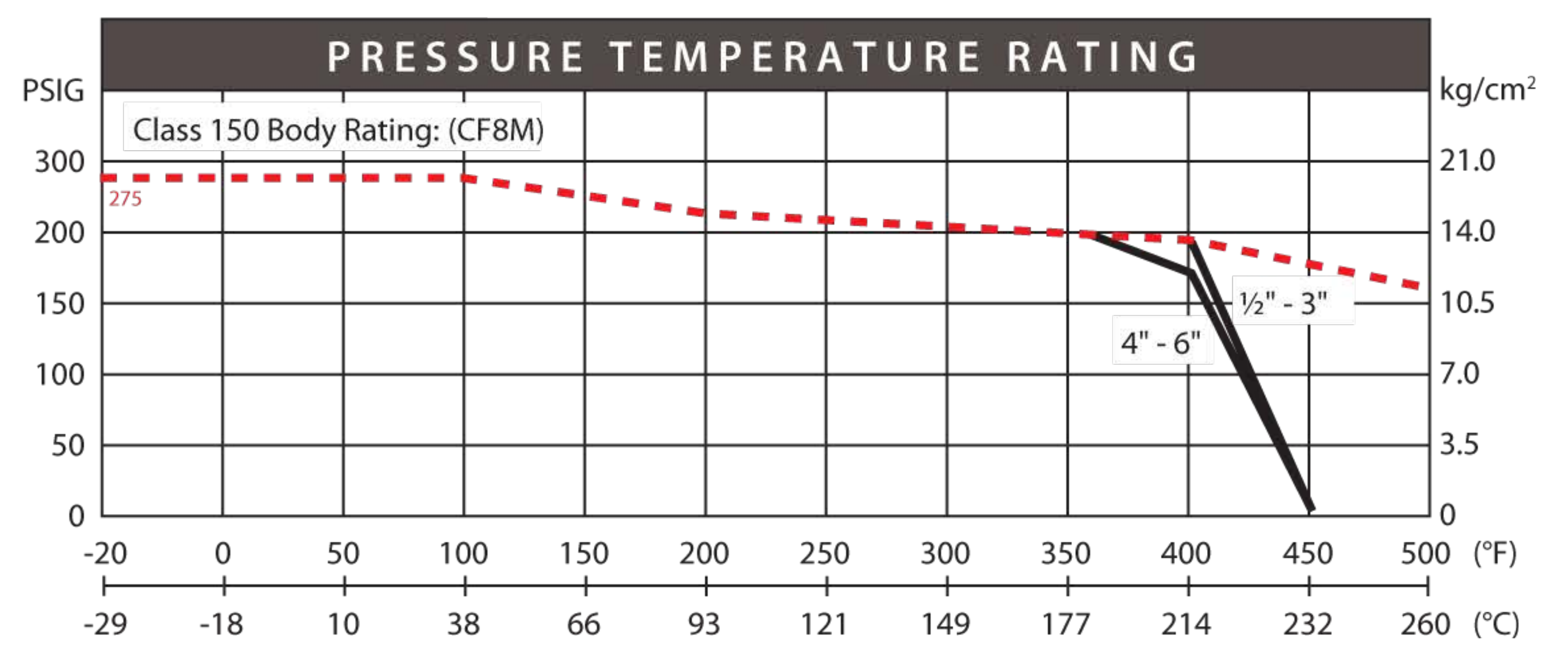
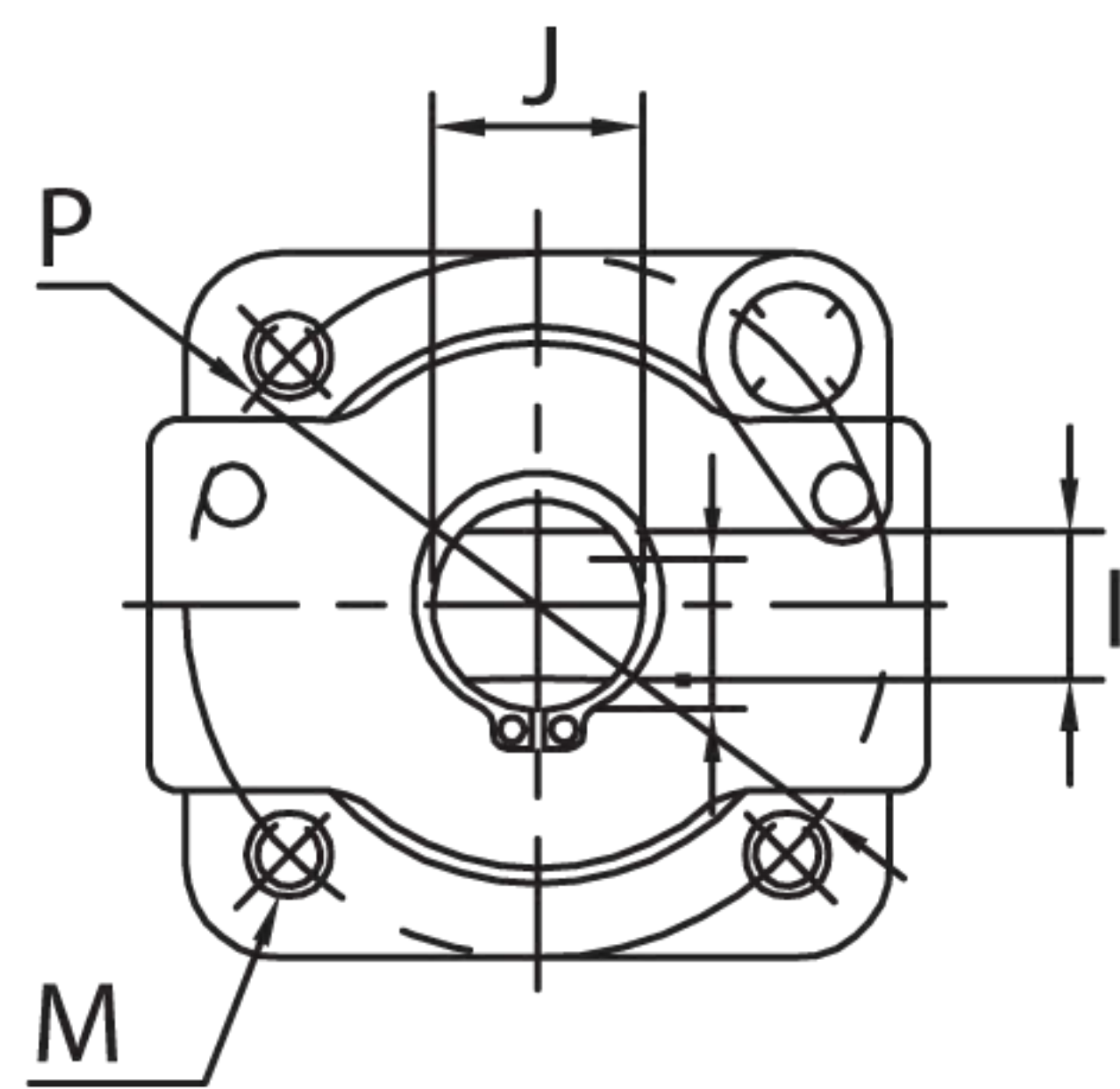
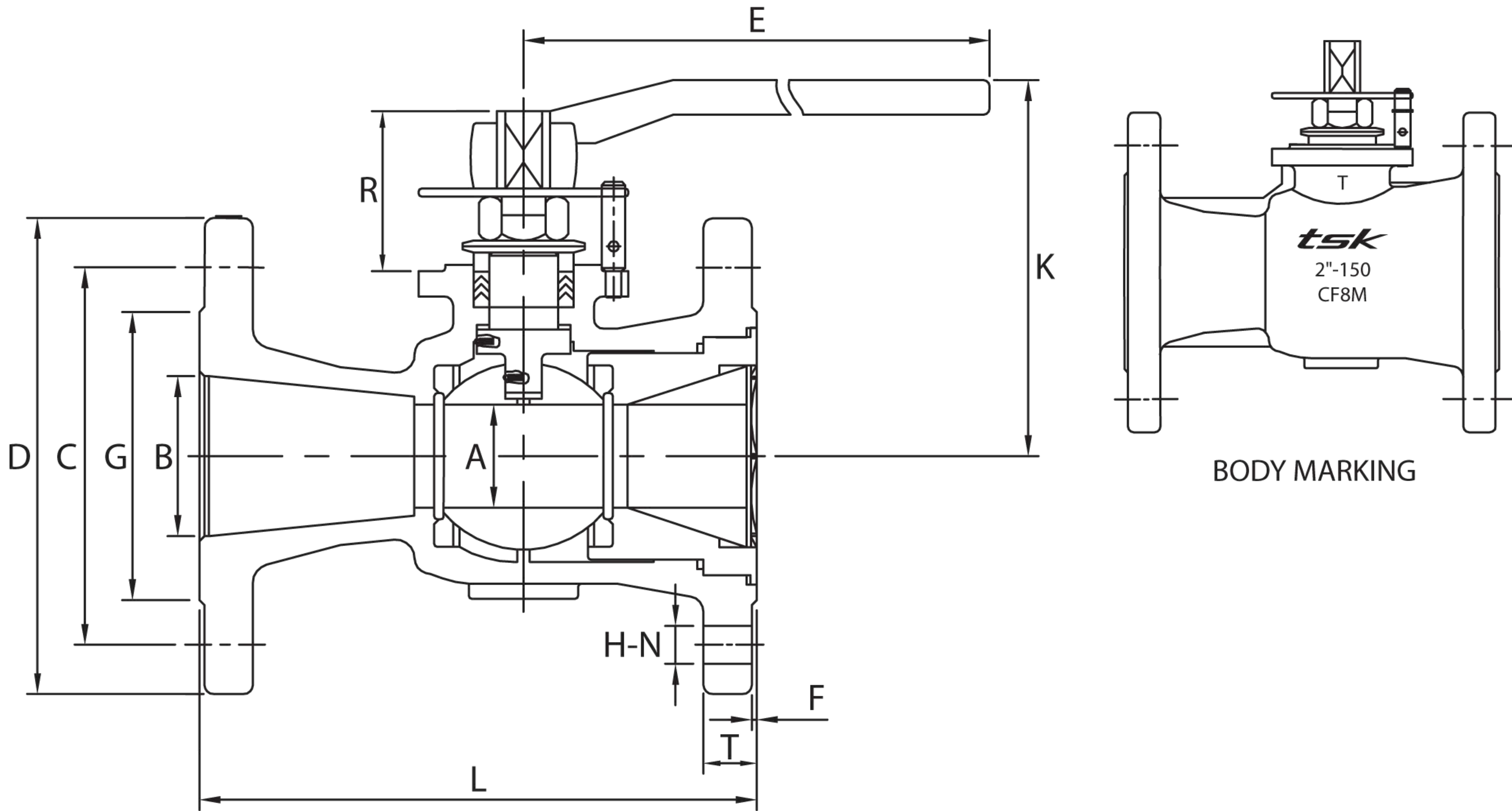
- ❖ Design conformed to ANSI B16.34
- ❖ Blowout-proof stem
- ❖ API 607 5<sup>th</sup> Edition fire-safe test approved
- ❖ Materials complied with NACE MR0175
- ❖ Mounting pad to actuator complied with ISO 5211
- ❖ Anti-static design

### Material list

| No. | Part name          | Material                      | Qty    | Remarks  |
|-----|--------------------|-------------------------------|--------|--|
| 1   | Screw              | Carbon steel plated           | 1      |  |
| 2   | Handle             | Ductile iron                  | 1      |  |
| 3   | Retaining ring     | Carbon steel                  | 1      |  |
| 4   | Stopper plate      | Stainless steel 304 / A276    | 1      |  |
| 5   | Gland nut          | Stainless steel 304 / A276    | 1      |  |
| 6   | Lock washer        | Stainless steel 304 / A276    | 1      |  |
| 7   | Belleville washer  | Stainless steel 301           | 2      |  |
| 8   | Gland              | Stainless steel 304 / A276    | 1      |  |
| 9   | Packing            | Graphite                      | 1 set  | Optional material: PTFE in non fire-safe model |
| 10  | Body               | Stainless steel A351 Gr. CF8M | 1      |  |
| 11  | Thrust washer      | Reinforced Teflon 15% GFT     | 1      |  |
| 12  | Stem               | Stainless steel 316 / A276    | 1      |  |
| 13  | Anti-static device | Stainless steel 304 / A276    | 2 sets |  |
| 14  | Seat               | PTFE (TFM-1600)               | 2      |  |
| 15  | Body seal          | Graphite                      | 1      | Optional material: PTFE in non fire-safe model |
| 16  | Body insert        | Stainless steel A351 Gr. CF8M | 1      |  |
| 17  | Ball               | Stainless steel A351 Gr. CF8M | 1      |  |
| 18  | Stem washer        | Stainless steel 304 / A276    | 1      |  |
| 19  | Lock plate         | Stainless steel 304 / A276    | 1      |  |
| 20  | Stopper pin        | Stainless steel 304 / A276    | 1      |  |

**S Series Class 150**  
**1-pc reduced port**  
**SS ball valve**

**SR-1F-150**



**DIMENSIONS**

| size (mm/in) | A    | B    | C     | D     | E     | F    | G    | H    | I    | J    | K    | L     | M        | N | P    | T    | R    | ISO 5211 flange |
|--------------|------|------|-------|-------|-------|------|------|------|------|------|------|-------|----------|---|------|------|------|-----------------|
| 2"           | 38   | 50   | 120.5 | 152   | 230   | 1.6  | 92   | 19   | 14   | 20   | 125  | 178   | 3/8" UNC | 4 | 70   | 15.9 | 49   | F07             |
|              | 1.50 | 1.97 | 4.75  | 5.98  | 9.06  | 0.06 | 3.62 | 0.75 | 0.55 | 0.79 | 4.92 | 7.00  |          |   | 2.76 | 0.63 | 1.93 |                 |
| 3"           | 58   | 76   | 152.5 | 190   | 350   | 1.6  | 127  | 19   | 17   | 25   | 168  | 203   | 3/8" UNC | 4 | 70   | 19.1 | 59   | F07             |
|              | 2.28 | 3.00 | 6.00  | 7.48  | 13.78 | 0.06 | 5.00 | 0.75 | 0.67 | 0.98 | 6.61 | 8.00  |          |   | 2.76 | 0.75 | 2.32 |                 |
| 4"           | 76   | 102  | 190.5 | 229   | 460   | 1.6  | 157  | 19   | 17   | 25   | 183  | 229   | 3/8" UNC | 8 | 70   | 23.9 | 59   | F07             |
|              | 3.00 | 4.02 | 7.50  | 9.02  | 18.11 | 0.06 | 6.18 | 0.75 | 0.67 | 0.98 | 7.20 | 9.02  |          |   | 2.76 | 0.94 | 2.32 |                 |
| 6"           | 114  | 152  | 241.5 | 279   | 750   | 1.6  | 216  | 22   | 23   | 34   | 245  | 267   | 1/2" UNC | 8 | 125  | 25.4 | 73   | F12             |
|              | 4.49 | 5.98 | 9.50  | 10.98 | 29.53 | 0.06 | 8.50 | 0.88 | 0.91 | 1.34 | 9.65 | 10.51 |          |   | 4.92 | 1.00 | 2.87 |                 |