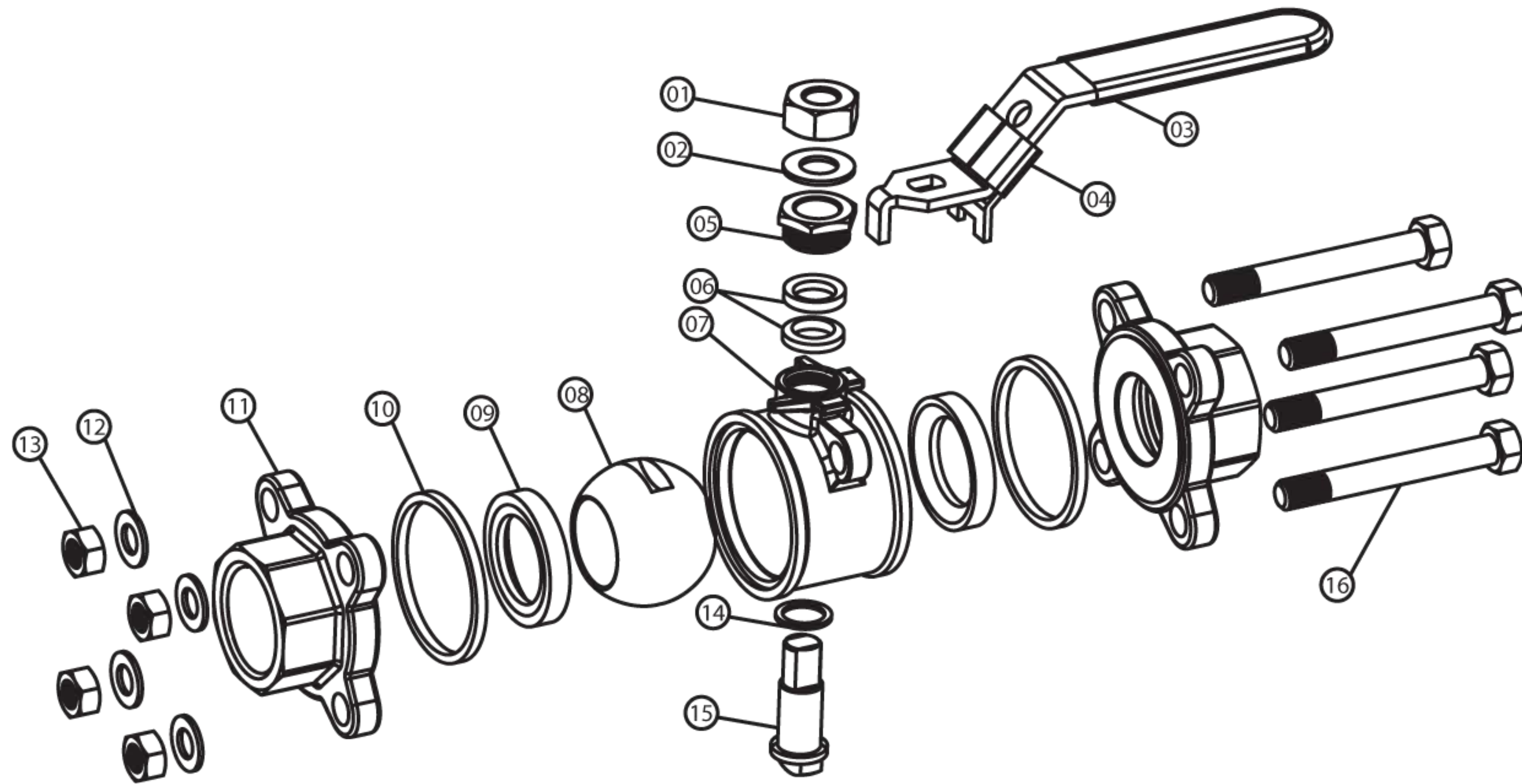


**S Series 1000 WOG
 3-pc full port
 SS ball valve**

SF-3ET



Specification

- ❖ Size range: ¼ " ~ 3 "
- ❖ Rating: 1000 psi W.O.G
- ❖ Construction: Three-piece body, with floating ball design
- ❖ Flow bore: Full port
- ❖ End connection: NPT, SW and BW

Product features

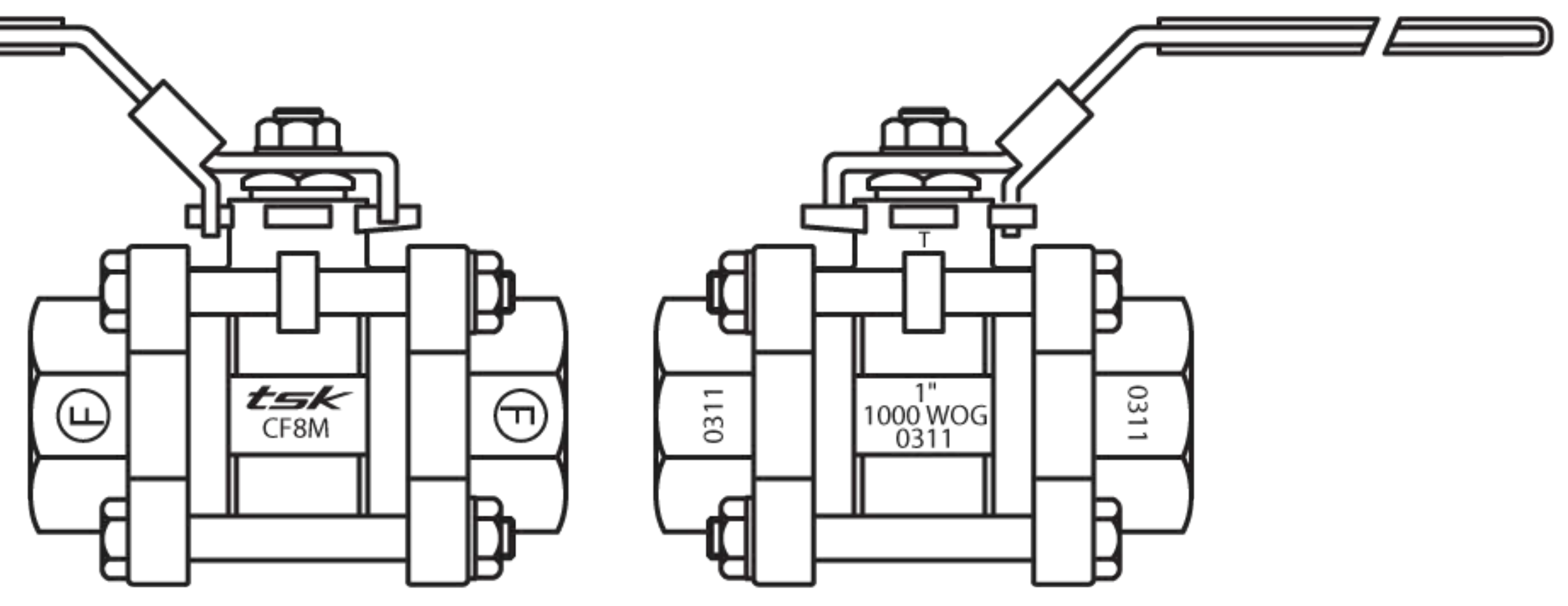
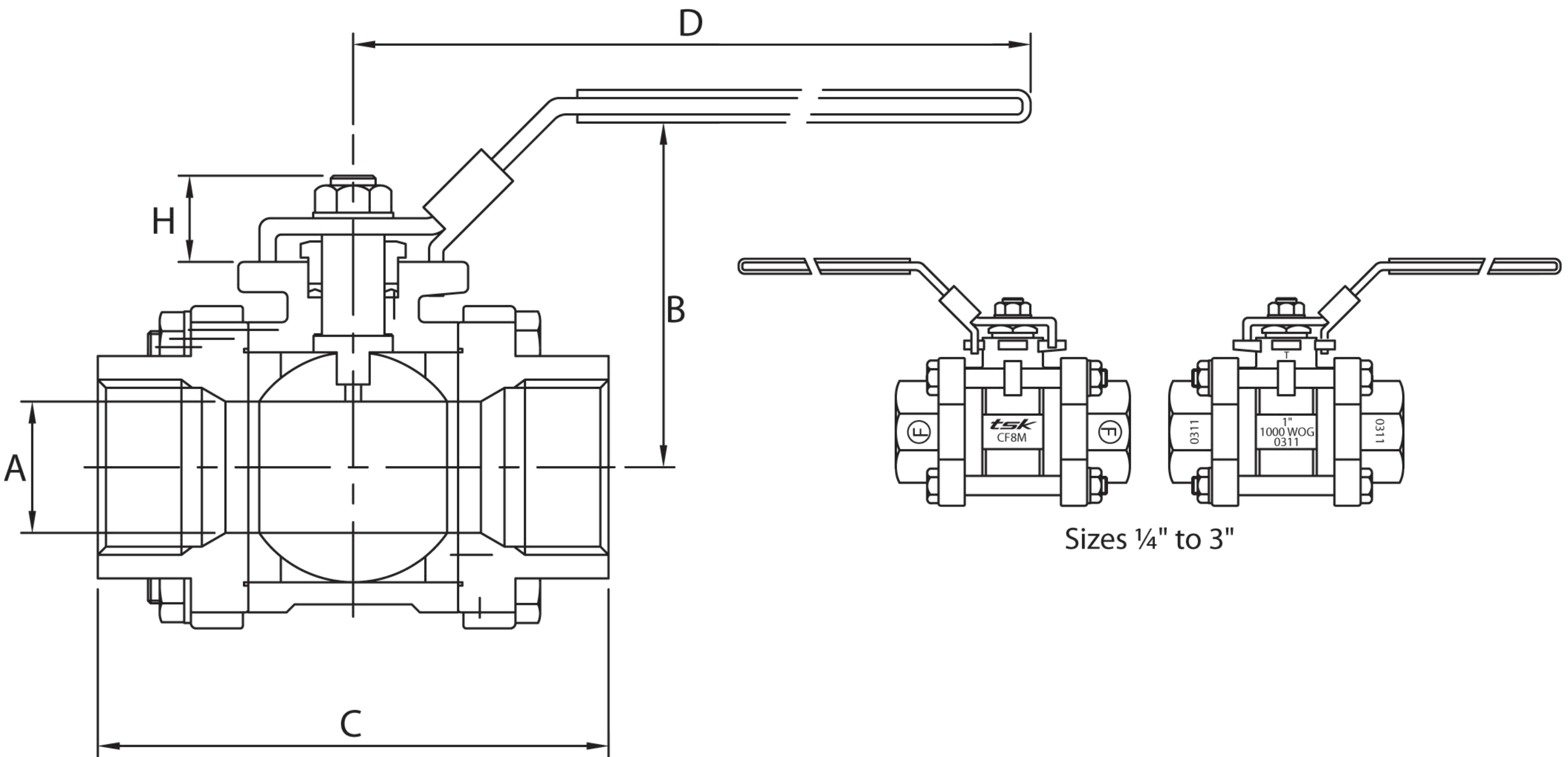
- ❖ NPT connection according to ANSI B1.20.1
- ❖ Blowout-proof stem
- ❖ Adjustable packing gland
- ❖ Locking lever handle
- ❖ Socket welded connection according to ANSI B16.11
- ❖ Butt-weld end available at request

Material list

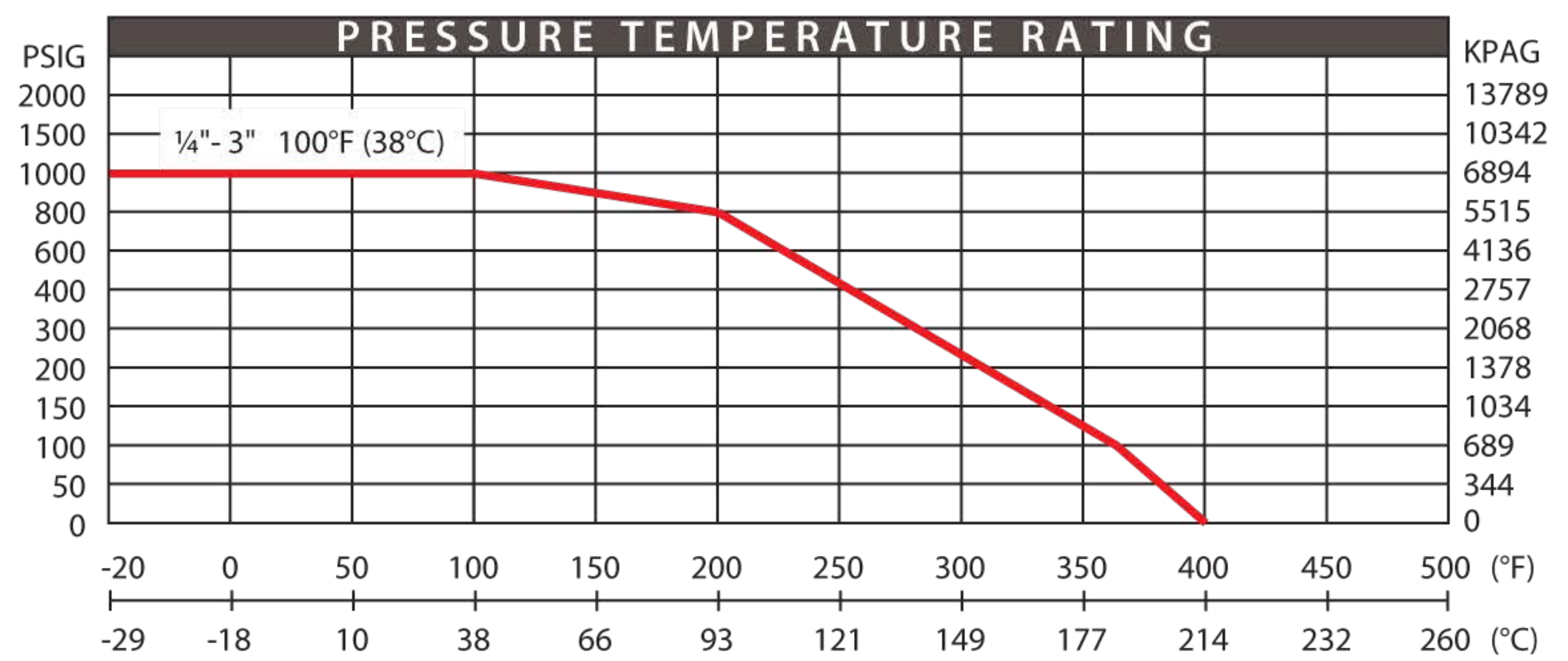
No.	Part name	Material	Qty	Remarks
1	Handle nut	Stainless steel 304 / A276	1	
2	Stem washer	Stainless steel 304 / A276	1	
3	Handle grip	Vinyl	1	
4	Handle	Stainless steel 304 / A276	1	
5	Gland nut	Stainless steel 304 / A276	1	
6	Packing	PTFE	1	
7	Body	Stainless steel A351 Gr. CF8M	1	
8	Ball	Stainless steel A351 Gr. CF8M	1	
9	Seat	Reinforced Teflon 15% GFT	2	
10	Gasket	PTFE	2	
11	Cap	Stainless steel A351 Gr. CF8M	2	Optional material: Gr. CF3M
12	Bolt washer	Stainless steel 304 / A276	4	
13	Hex nut	Stainless steel A194 Gr. 8	4	
14	Thrust washer	Reinforced Teflon 15% GFT	1	
15	Stem	Stainless steel 316 / A276	1	
16	Bolt	Stainless steel A193 Gr. B8	4	

S Series 1000 WOG
3-pc full port
SS ball valve

SF-3ET



Sizes 1/4" to 3"



D I M E N S I O N S

	8	10	15	20	25	32	40	50	65	80
size	8	10	15	20	25	32	40	50	65	80
mm/in	1/4	3/8	1/2	3/4	1	1 1/4	1 1/2	2	2 1/2	3
A	9.5	9.5	15.0	20.0	25.0	32.0	38.0	50.5	65.0	78.0
mm/in	0.374	0.374	0.591	0.787	0.984	1.260	1.496	1.988	2.559	3.071
B	54.0	54.0	54.6	64.8	67.8	79.4	84.4	100.7	135.0	145.5
mm/in	2.126	2.126	2.150	2.551	2.669	3.126	3.323	3.965	5.315	5.728
C	57.00	57.00	66.50	72.50	86.50	101.50	116.50	132.50	167.00	187.00
mm/in	2.244	2.244	2.618	2.854	3.406	3.996	4.587	5.217	6.575	7.362
D	120.0	120.0	120.0	139.0	139.0	193.0	193.0	193.0	244.0	244.0
mm/in	4.724	4.724	4.724	5.472	5.472	7.598	7.598	7.598	9.606	9.606
H	11.5	12.5	14.5	18.0	18.0	23.5	22.5	25.0	32.0	31.0
mm/in	0.453	0.492	0.571	0.709	0.709	0.925	0.886	0.984	1.280	1.220
I	5.5	5.5	5.5	6.5	6.5	8.0	8.0	10.0	12.0	12.0
mm/in	0.217	0.217	0.217	0.256	0.256	0.315	0.315	0.394	0.472	0.472
J	8.0	8.0	8.0	8.0	8.0	10.0	10.0	12.0	18.0	18.0
mm/in	0.315	0.315	0.315	0.315	0.315	0.394	0.394	0.472	0.709	0.709
CV	10.0	10.0	26.0	50.0	68.0	120.0	170.0	360.0	510.0	900.0