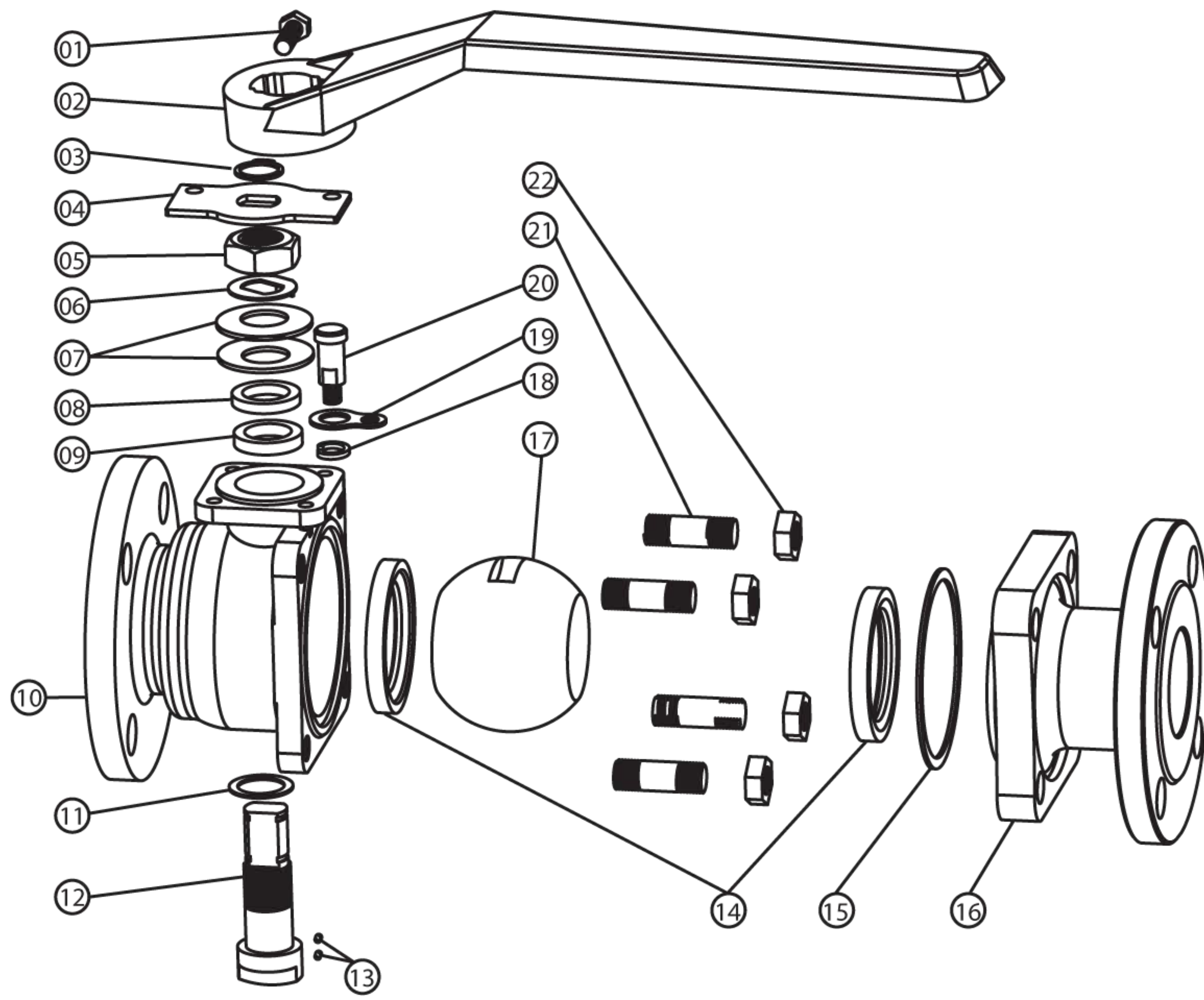


S Series Class 150 2-pc full port SS ball valve

SF-2F-150



Specification

- ❖ Size range: ½"~6"
- ❖ Rating: Class 150
- ❖ Construction: Two-piece body, with floating ball design
- ❖ Flow bore: Full port

Product features

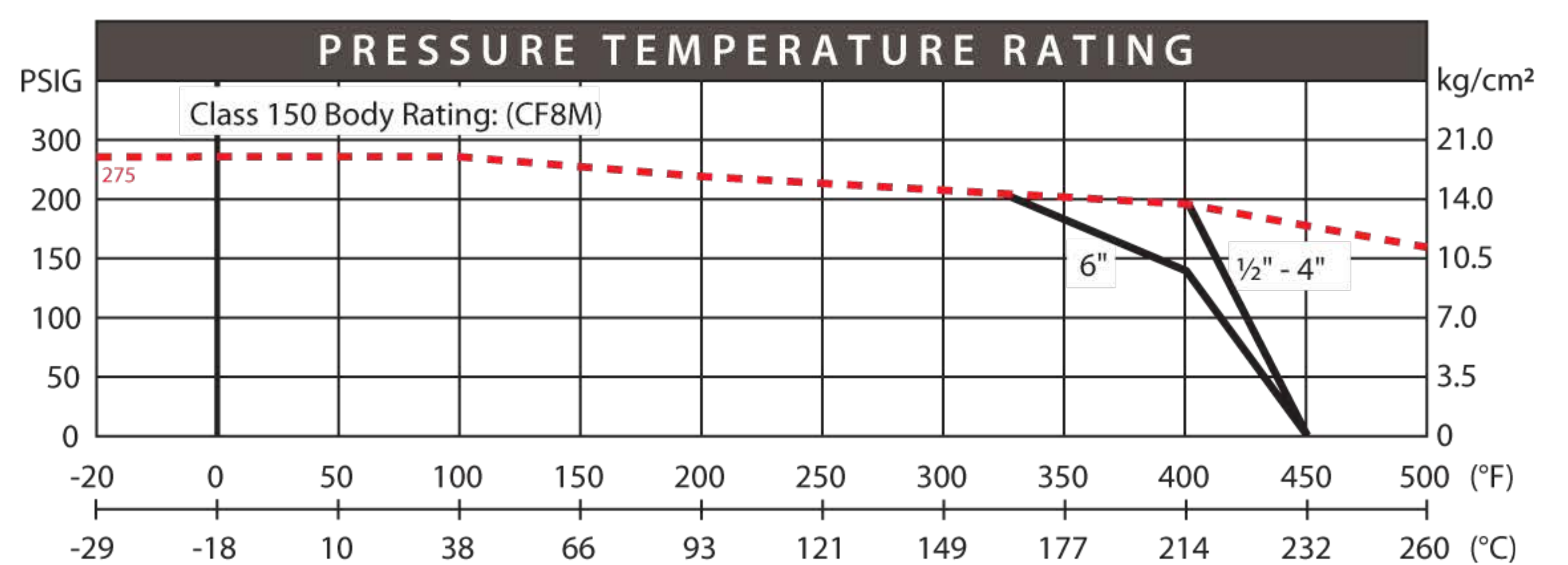
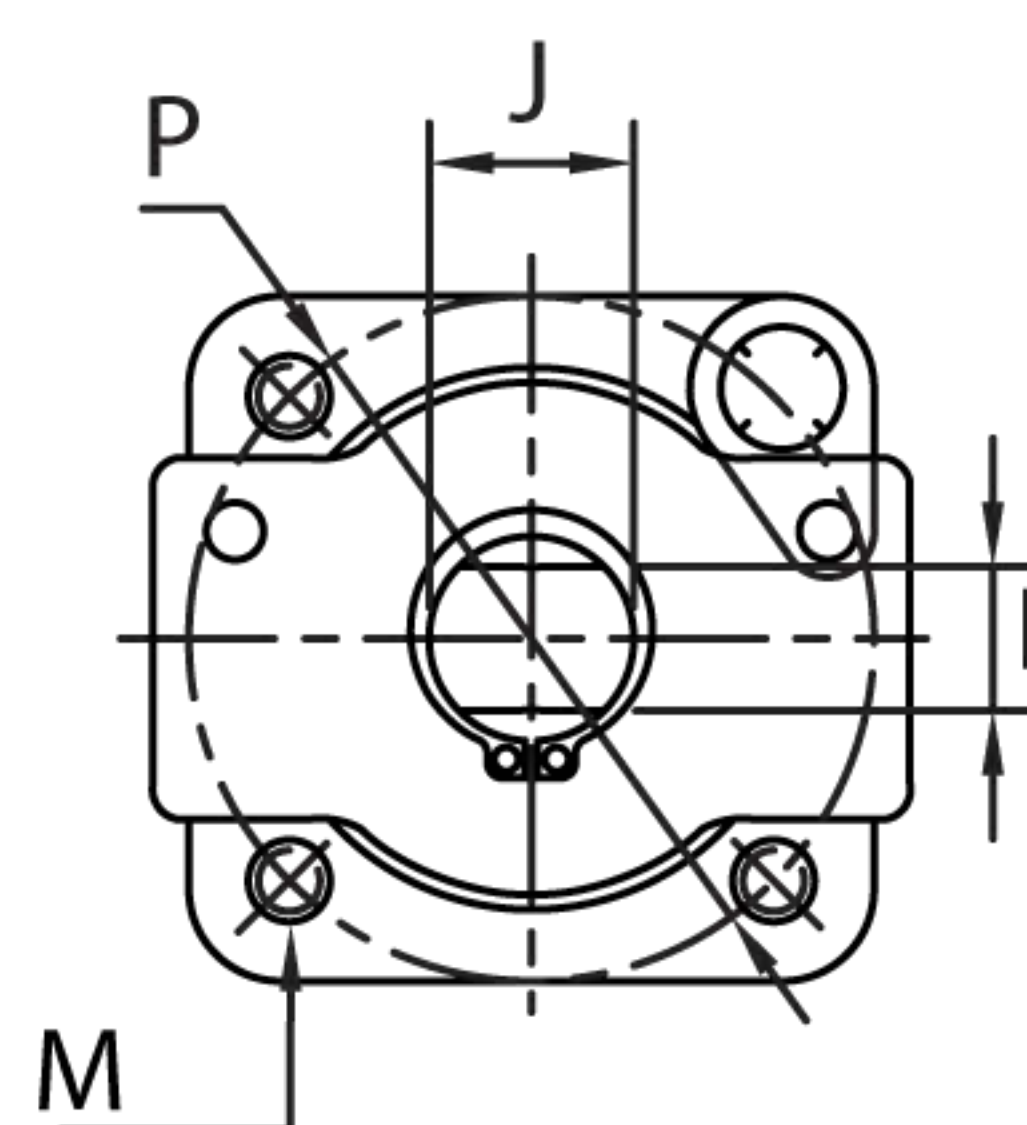
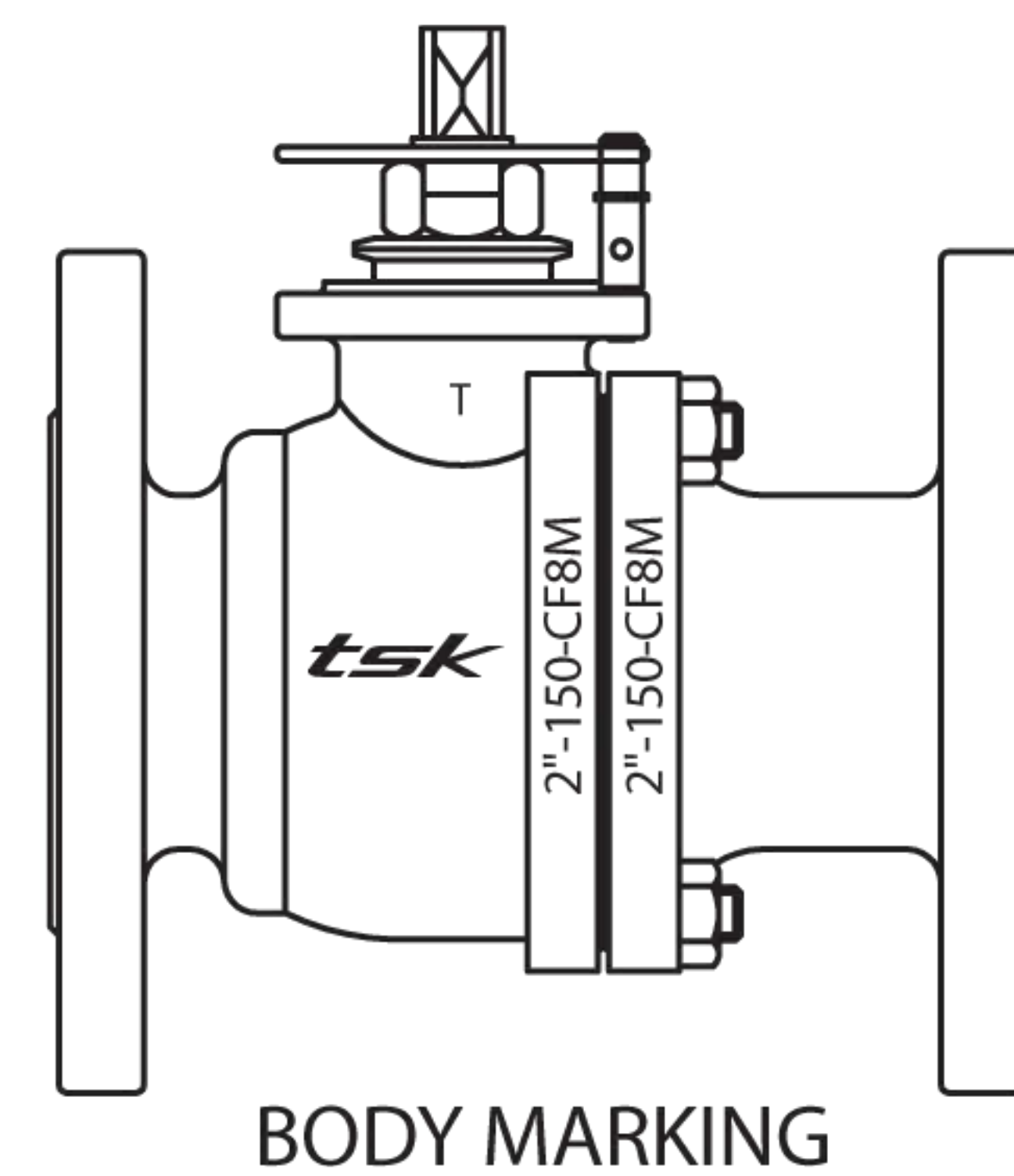
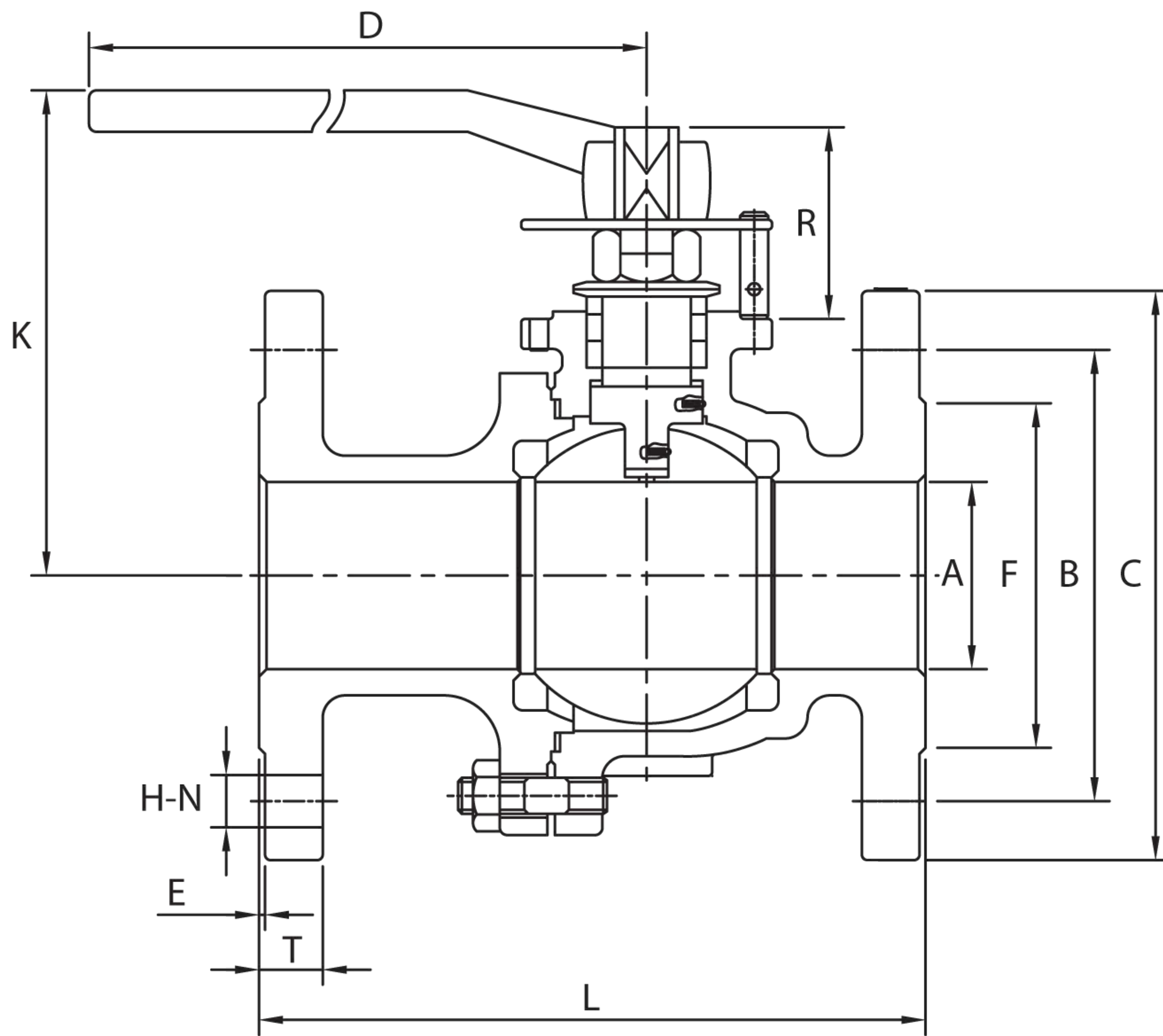
- ❖ Design conformed to ANSI B16.34
- ❖ Blowout-proof stem
- ❖ API 607 5th Edition fire-safe test approved
- ❖ Materials complied with NACE MR0175
- ❖ Mounting pad to actuator complied with ISO 5211
- ❖ Anti-static design

Material list

No.	Part name	Material	Qty	Remarks
1	Screw	Carbon steel plated	1	
2	Handle	Ductile iron	1	
3	Retaining ring	Carbon steel	1	
4	Stopper plate	Stainless steel 304 / A276	1	
5	Gland nut	Stainless steel 304 / A276	1	
6	Lock washer	Stainless steel 304 / A276	1	
7	Belleville washer	Stainless steel 301	2	
8	Gland	Stainless steel 304 / A276	1	
9	Packing	Graphite	1 set	Optional material: PTFE in non fire-safe model
10	Body	Stainless steel A351 Gr. CF8M	1	
11	Thrust washer	Reinforced Teflon 15% GFT	1	
12	Stem	Stainless steel 316 / A276	1	
13	Anti-static device	Stainless steel 304 / A276	2 sets	
14	Seat	PTFE (TFM-1600)	2	
15	Body seal	Graphite	1	Optional material: PTFE in non fire-safe model
16	Cap	Stainless steel A351 Gr. CF8M	1	
17	Ball	Stainless steel A351 Gr. CF8M	1	
18	Stem washer	Stainless steel 304 / A276	1	
19	Lock plate	Stainless steel 304 / A276	1	
20	Stopper pin	Stainless steel 304 / A276	1	
21	Stud bolt	A193 Gr. B8M	1 set	
22	Bolt nut	A194 Gr. 8MA	1 set	

S Series Class 150
2-pc full port
SS ball valve

SF-2F-150



DIMENSIONS

size (mm/in)	A	B	C	D	E	F	H	I	J	K	L	M	N	P	T	R	ISO 5211 flange
1/2"	15	60.5	89	130	1.6	35	16	7	10	78.5	108	1/4" UNC	4	36	11.2	27	F03
	0.59	2.38	3.50	5.12	0.06	1.38	0.62	0.28	0.39	3.09	4.25			1.42	0.44	1.06	
3/4"	19	70.0	98.5	130	1.6	43	16	7	10	81.5	117	1/4" UNC	4	36	11.2	27	F03
	0.75	2.75	3.88	5.12	0.06	1.69	0.62	0.28	0.39	3.21	4.62			1.42	0.44	1.06	
1"	24	79.0	108	160	1.6	51	16	10	14	97.5	127	1/4" UNC	4	50	11.2	35.5	F05
	0.95	3.12	4.25	6.30	0.06	2.00	0.62	0.39	0.55	3.84	5.00			1.97	0.44	1.40	
1 1/2"	38	98.5	127	230	1.6	73	16	14	20	120.5	165	3/8" UNC	4	70	14.3	49	F07
	1.50	3.88	5.00	9.06	0.06	2.88	0.62	0.55	0.79	4.74	6.50			2.76	0.56	1.93	
2"	50	120.5	152	230	1.6	92	19	14	20	129.5	178	3/8" UNC	4	70	15.9	49	F07
	1.97	4.75	5.98	9.06	0.06	3.62	0.75	0.55	0.79	5.10	7.00			2.76	0.63	1.93	
2 1/2"	65	139.7	178	230	1.6	104.6	19	14	20	139.5	190.5	3/8" UNC	4	70	17.5	49	F07
	2.56	5.50	7.00	9.06	0.06	4.12	0.75	0.55	0.79	5.49	7.50			2.76	0.69	1.93	
3"	76	152.5	190	400	1.6	127	19	17	25	177	203	3/8" UNC	4	102	19.1	61	F10
	3.00	6.00	7.48	15.75	0.06	5.00	0.75	0.67	0.98	6.97	8.00			4.02	0.75	2.40	
4"	100	190.5	229	460	1.6	157	19	17	25	193	229	3/8" UNC	8	102	23.9	61	F10
	3.94	7.50	9.02	18.11	0.06	6.18	0.75	0.67	0.98	7.60	9.02			4.02	0.94	2.40	
6"	150	241.5	279	1000	1.6	216	22	25	36	274	394	3/4" UNC	8	140	25.4	90	F14
	5.91	9.50	10.98	39.37	0.06	8.50	0.88	0.98	1.42	10.79	15.51			5.51	1.00	3.54	