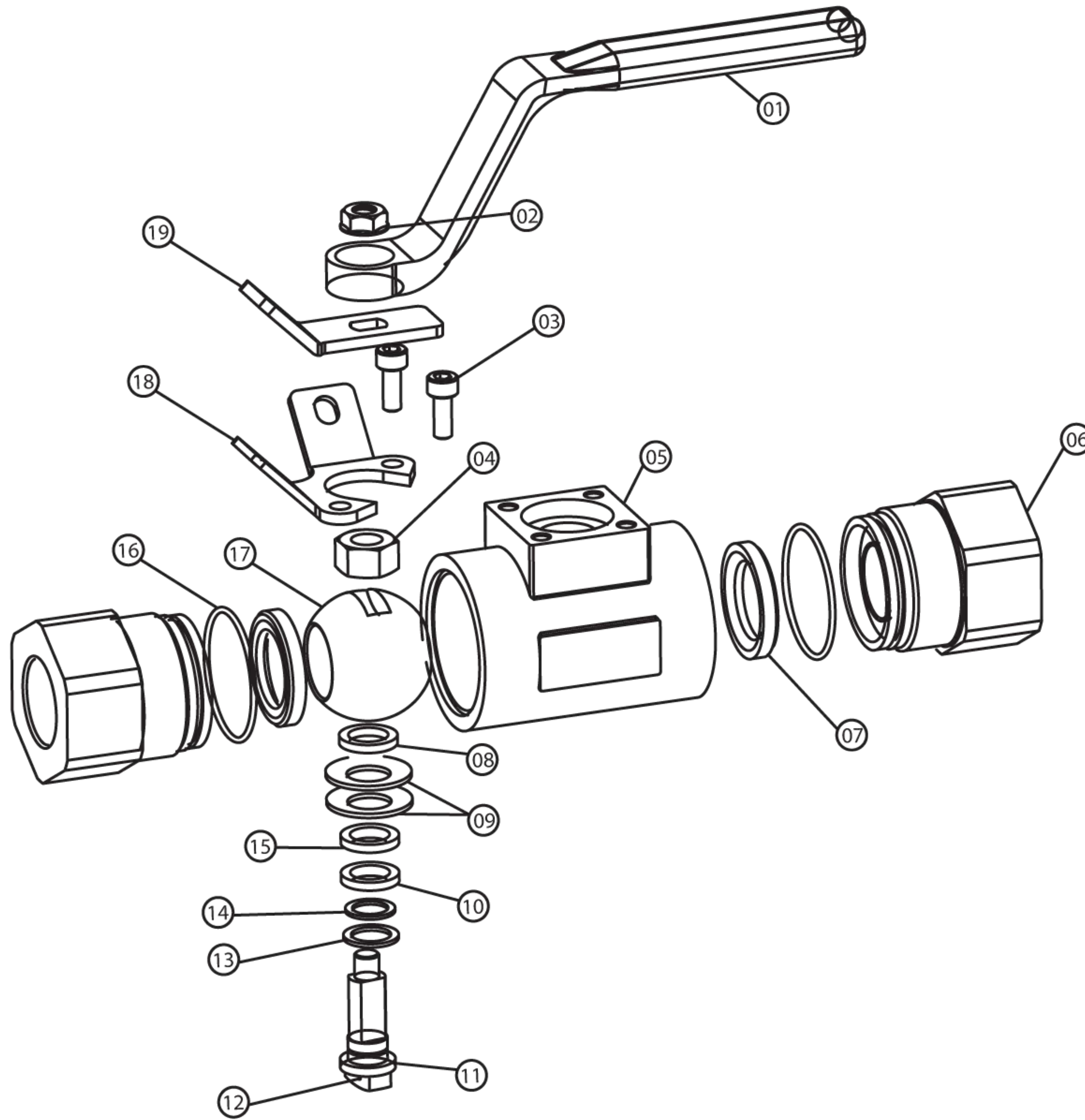


## T Series Class 1500 3-pc reduced port / full port forged CS ball valve

## HTR-3AT-3, HTR-3LT-3, HTF-3AT-3, HTF-3LT-3



### Specification

- ❖ Size range: ¾"~3" (Reduced port), ¼"~2" (Full port)
- ❖ Rating: 3000 psi WOG (Class 1500)
- ❖ Construction: Three-piece body, with floating ball design
- ❖ Flow bore: Reduced port / Full port

### Product features

- ❖ NPT connection according to ANSI B1.20.1
- ❖ Blowout-proof stem
- ❖ API 607 5<sup>th</sup> Edition fire-safe test approved
- ❖ Valves comply with NACE MR0175
- ❖ Mounting pad to actuator complied with ISO 5211
- ❖ Anti-static design

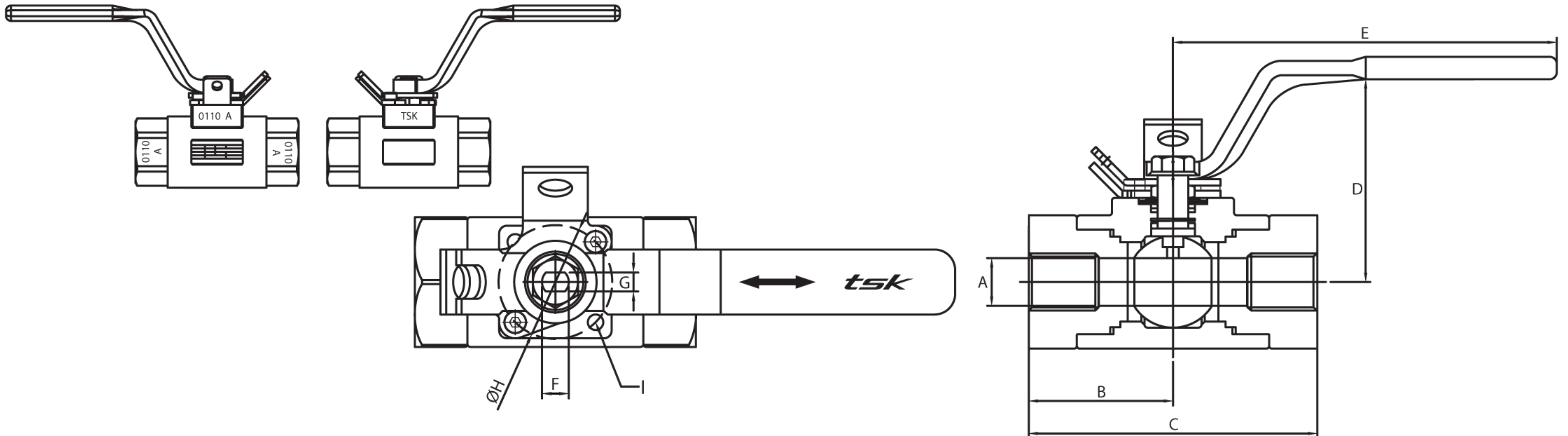
### Material list

No.	Part name	Material	Qty	Remarks
1	Handle	Ductile iron	1	
2	Handle nut	Carbon steel plated	1	
3	Cap screw	Carbon steel plated	2	
4	Gland nut	Carbon steel plated	1	
5	Body	A105N	1	Optional material: A350 Gr. LF2
6	Cap	A105N	2	Optional material: A350 Gr. LF2
7	Seat	Delrin	2	
8	Lock washer	Stainless steel 304 / A276	1	
9	Belleville washer	Stainless steel 301	2	
10	Packing	Graphite	1	
11	Stem	Stainless steel 316 / A276	1	
12	Spring & Pin	Stainless steel 304 / A276	1	
13	Thrust washer	Delrin	1	
14	Stem O-ring	HNBR	1	Only for sizes larger than 1 ½"
15	Gland	Stainless steel 304 / A276	1	
16	Body O-ring	Viton	2	
17	Ball	Stainless steel A351 Gr. CF8M	1	
18	Gland flange	Carbon steel plated	1	
19	Stopper plate	Carbon steel plated	1	



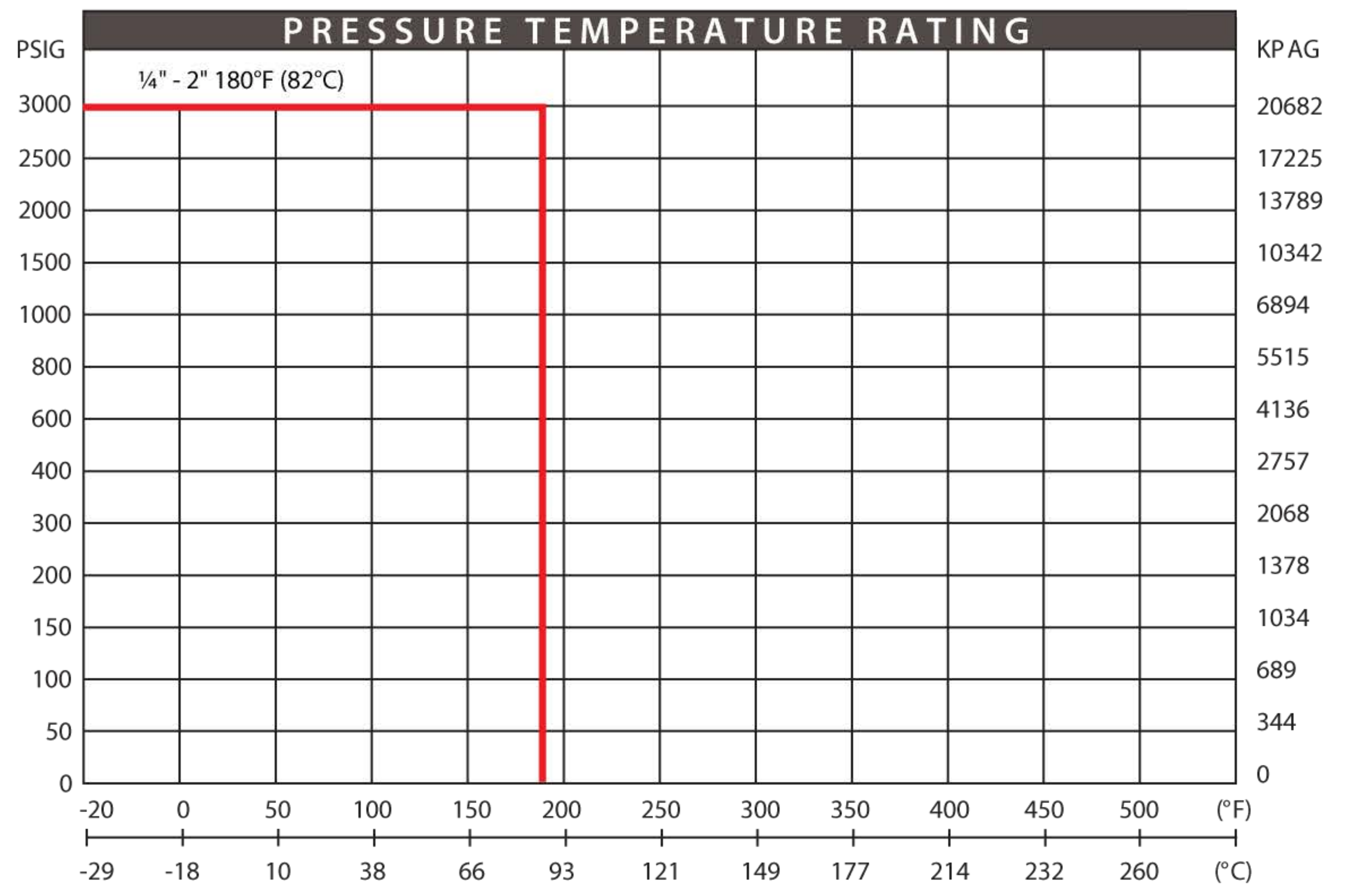
# T Series Class 1500 3-pc reduced port / full port forged CS ball valve

# HTR-3AT-3, HTR-3LT-3, HTF-3AT-3, HTF-3LT-3



### Full port

		DIMENSIONS						
size		8	10	15	20	25	40	50
mm/in		1/4	3/8	1/2	3/4	1	1 1/2	2
A		12.7	12.7	12.7	22.2	24.0	38.1	50.0
mm/in		0.50	0.50	0.50	0.87	0.94	1.50	1.96
B		49.0	49.0	49.0	54.0	66.5	79.5	79.5
mm/in		1.93	1.93	1.93	2.13	2.62	3.13	3.13
C		98.0	98.0	98.0	108.0	133.0	159.0	159.0
mm/in		3.86	3.86	3.86	4.25	5.24	6.26	6.26
D		83.0	83.0	83.0	112.0	116.0	143.0	177.0
mm/in		3.27	3.27	3.27	4.41	4.57	5.63	6.97
E		122.0	122.0	122.0	172.0	172.0	279.0	302.0
mm/in		4.80	4.80	4.80	6.77	6.77	10.98	11.89
F		12.0	12.0	12.0	13.0	13.0	19.0	20.0
mm/in		0.47	0.47	0.47	0.51	0.51	0.75	0.79
G		8.0	8.0	8.0	8.0	8.0	12.0	14.0
mm/in		0.32	0.32	0.32	0.32	0.32	0.47	0.55
H		36	36	36	36	36	50	70
mm/in		1.417	1.417	1.417	1.417	1.417	1.968	2.756
I		M6	M6	M6	M6	M6	M8	M8
ISO 5211		F03	F03	F03	F03	F04	F05	F07



### Reduced port

		DIMENSIONS					
size		15	20	20	30	40	50
mm/in		3/4	1	1 1/4	1 1/2	2	3
A		12.7	22.2	22.2	32.0	38.1	50.0
mm/in		0.50	0.87	0.87	1.26	1.50	1.96
B		55.5	54.0	76.0	79.5	79.5	127.0
mm/in		2.19	2.13	2.99	3.13	3.13	6.00
C		111.0	108.0	152.0	159.0	159.0	254.0
mm/in		4.37	4.25	5.98	6.26	6.26	10.00
D		83.0	112.0	112.0	138.0	143.0	177.0
mm/in		3.27	4.41	4.41	5.43	5.63	6.97
E		122.0	172.0	172.0	279.0	279.0	302.0
mm/in		4.80	6.77	6.77	10.98	10.98	11.89
F		12.0	13.0	13.0	19.0	19.0	20.0
mm/in		0.47	0.51	0.51	0.75	0.75	0.79
G		8.0	8.0	8.0	12.0	12.0	14.0
mm/in		0.32	0.32	0.32	0.47	0.47	0.55
H		36	36	36	50	50	70
mm/in		1.417	1.417	1.417	1.968	1.968	2.756
I		M6	M6	M6	M8	M8	M8
ISO 5211		F03	F03	F03	F05	F05	F07

